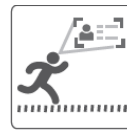


## 2MP 37X Ultra-Starlight IR Network PTZ Camera



Smart Tracking



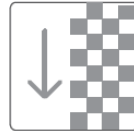
Ultra Starlight



True WDR



VCA



3D DNR



PoE++



IP67



H.265



TD-8823IM (PE/WP/37M/AR30)

TD-8823IM(PE/37M/AR30)

## System

TD-8823IM(PE/37M/AR30) which adopts 1/1.8" progressive CMOS sensor, 37x optical zoom lens and accurate gimbal, could monitor wide open area with great details, such as rivers, forests, roads, railways, airports, ports, squares, parks, scenic spots, stations and large venues. It can recognize human faces or car license plate at 430m away or detect human body at 2km away.

This camera adapts the latest ISP, which delivers excellent picture quality. At most time, the camera outputs vivid colorful image without necessary of switching to B/W mode. It supports facial priority, car lamp priority exposure, auto-gain control for better VCA results. 1.0T CNN deep-learning engine supports faces/vehicle detection & classification, perimeter precaution and auto-tracking functions.

With full metal shield, built-in heater and cool fan, it even could cold start at -40°C; due to its IP67 Ingress Protection rating and Ik10 impact test, 6KV lightning rating, this product could work well in harsh weather, such as islands, desert areas, ice-plain, and so on. Additionally, TD-8823IM (PE/WP/37M/AR30) is enhanced with an additional electric rain-wiper. The camera conforms to the ONVIF specifications, ensuring interoperability between network video products regardless of manufacturer.

## Key Spec:

- 1/1.8" progressive scan CMOS
- Up to 1920x1080 resolution
- Mini illumination:
  - Color: 0.002 lux @ (F1.5 AGC ON)
  - B/W: 0.0004 lux @ (F1.5 AGC ON)
  - 0 Lux with IR
- 37x optical zoom, 16x digital zoom
- 120 dB WDR, 3D DNR, Smart IR
- Up to 300m IR distance
- Smart H.265/H.264 video compression
- 1.0 Tops Deep-learning Engine
- Smart tracking of human/vehicle
- Smart detection and perimeter precaution
- Metal Body, IP67, -40°C~65°C, -40°C cold start
- PoE++ and DC/AC24V

## Application:

Outdoor harsh weather, wide range area intrusion, perimeter protection, such as rivers, forests, roads, railways, airports, ports, squares, parks, scenic spots, stations and large venues.

## SPECIFICATION:

Camera Module	
System	Hi3516DV300,2GB LPDDR3, 4GB EMMC
Image sensor	1/1.8" progressive scan CMOS
Mini. Illumination	Color: 0.002Lux @ (F1.5, AGC ON); B/W: 0.0004Lux @ (F1.5, AGC ON); 0Lux with IR
Image setting	Flip, Mirror, Saturation, Brightness, Contrast, Sharpness, AGC, and AWB adjusted by client software/browser
Shutter Speed	1/1 s – 1/10,000 s
White Balance	Auto/Manual/Indoor/Outdoor
Gain	Auto/Manual
Day & Night	IR Cut filter
Digital Zoom	16x
Privacy Mask	4 Programmable privacy masks
3D DNR	Auto/Manual
BLC	Yes
HLC	Yes
WDR	120 dB
Defog	Electronic
Regional Exposure	No
Picture overlay	Logo picture could be overlaid on video with 128x128pixels,24bits BMP format
Lens	
Focus length	f=5.6 ~ 208 mm lens,37x optical
Zoom Speed	Approx. 4.4s (optical zoom, wide-tele)
Field of View	Horizontal:59.8° to 2.3°(wide-tele); Vertical: 33.6° to 1.3°(wide-tele); Diagonal: 68.6° to 2.6°(wide-tele)
Working distance	wide: 1.0m ~ INF; tele: 1.5m ~ INF
Aperture Range	F1.55 ~ F4.5 (wide-tele)
PTZ	
Pan Range	360°endless
Pan speed	Configurable, from 0.1~180°/s; Preset speed: 180°/s
Tilt Range	From -20° to 180° (auto-flip at 90°)
Tilt Speed	Configurable, from 0.1°~ 150°/s, Preset speed: 150°/s
Proportional Zoom	Yes
Preset	300
Cruise	8 cruises, up to 16 presets for each cruises
Track	4 tracks, record time over 3 minutes for each track
Power off memory	Support
Action mode	Preset/Cruise/Track/Auto Scan/Random Scan
3D Positioning	Support
PTZ Position Display	Support
Schedule Task	Preset/Cruise/Track/Random Scan/Boundary Scanning /Dome reboot
IR	
IR Distance	300m (984 f.t.)

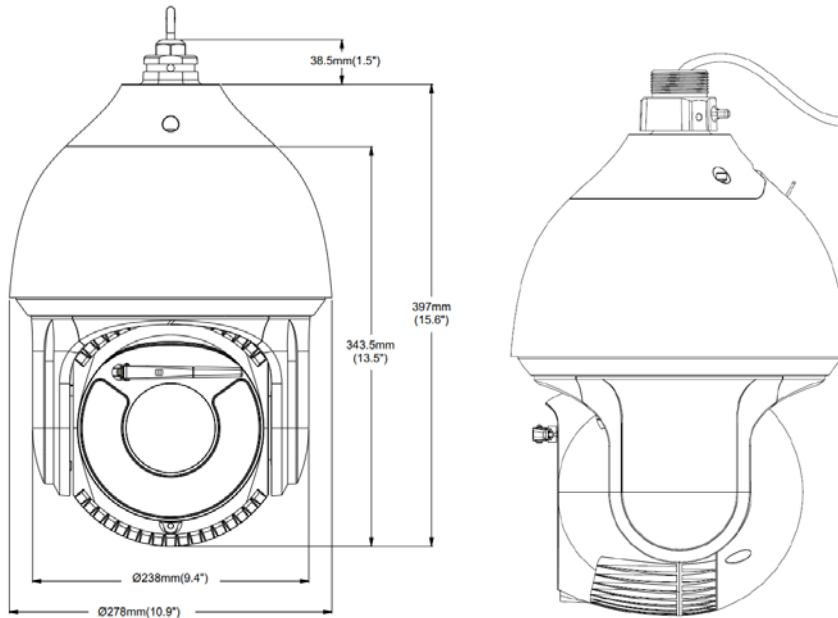
Smart IR	Yes
<b>Network</b>	
Max Resolution	1920x1080
Main stream	1920 × 1080, 1280 × 960, 1280 × 720 (25/30fps)
Sub stream	25fps (704 × 576, 640 × 480, 352 × 288) 30fps (704 × 480, 640 × 480, 352 × 240)
Third Stream	25fps (1920 × 1080, 1280 × 960, 1280 × 720, 704 × 576, 640 × 480, 352 × 288) 30fps (1920 × 1080, 1280 × 960, 1280 × 720, 704 × 480, 640 × 480, 352 × 240)
SVC	Yes
Video compression	Smart H.265/H.264/MJPEG
Audio compression	G.711 A/U
Audio Enhancement	No
Protocols	HTTP, HTTPS, IPv4/IPv6, 802.1x, QoS, FTP, SMTP, UPnP, SNMP,DNS, DDNS, NTP, RTSP, RTCP, RTP, TCP/IP, UDP, IGMP, ICMP,DHCP, PPPoE
Simultaneous live view	Up to 6 channels
User / Host	Up to 16 users, 3 levels: Administrator, Advanced User and Normal User
Security Measures	User authentication (ID and PW), Host authentication (MAC address); HTTPS encryption, IEEE802.1x port-based network access control; IP address filtering
<b>Smart Features</b>	
Basic event	Motion detection, video tampering alarm, exception (network disconnected, IP address conflict, SD full, SD error)
Face recognize /compare	Default off, Max 30 human faces per second.
People density / LPR	Not support by this software version.
Smart Detection	Intrusion detection, Line crossing detection, Region entrance detection, Region exiting detection, Unattended baggage detection, Object removal detection, Scene change detection, Support alarm triggering by human or vehicle, filtering flag/animal.
Smart Tracking	Manual Tracking, Auto Tracking (human or vehicle)
<b>System Integration</b>	
Alarm Interface	7CH alarm input; 2CH alarm output
Audio Interface	1CH audio input, 2 to 2.4v[p-p] 1KΩ ±10%; 1CH audio output (line out), impedance: 600Ω
Alarm Linkage	Alarm actions, such as Preset, Cruise, Track, Memory Card Video Record, Trigger Recording, Notify Surveillance Center, Upload to FTP/Memory Card, Send Email, etc.
Network Interface	1 RJ45 10M/100M Adaptive Ethernet (Support PoE 802.3.bt,class 7)
CVBS	Yes, 1 BNC connector
RS 485	Pelco-D / P protocol, custom protocols available
Storage	One Memory card slot, support microSD/SDHC/SDXC, up to 256G
API	ONVIF, support TVT SDK and third-party management platform
Client	TVT N9000 1.4.5, TVT NVMS 2.0; and the third-party client
Web Browser	IE(8-11); Firefox( ver44 and early);Chrome(ver76 and early); Not support Safari
<b>General</b>	
Power	AC24V, DC24V,PoE++ (802.3.bt, class 7), (Max 50W, include IR on, Heater on, Fan working)
Working condition	-40°C ~ 65°C (-40°F ~ 149°F),90%RH less (non-condensing),Cold start at -40°C
Storage condition	-40°C ~ 70°C ; ≤95% RH
Protection	IP67, IK10,6000V Lightning Protection, Surge Protection and Voltage Transient Protection
Material	Aluminum Alloy
Dimensions	Φ 278mm x H 435mm( Φ 10.94" x 17.12")
Weight	Approx. 8.8 Kg (19.4 lb.)
Certification	IP67,IK10,ROHS,CE, FC

**DORI table**

It is calculated based on the camera sensor specification and the criteria given by EN 62676-4: 2015.

DORI	Detect (human behaviours)	Observe (as Court level evidence)	Recognize (face ID, CPL)	Identify (human and his photo)
Define	25Pixels/meter	63Pixels/meter	125Pixels/meter	250pixels/meter
Distance	2155m(7070 f.t.)	855m (2805 f.t.)	431m(1414 f.t)	215.5m (707 f.t.)

**Dimensions:**



Unit: inch/mm

**Ordering information**

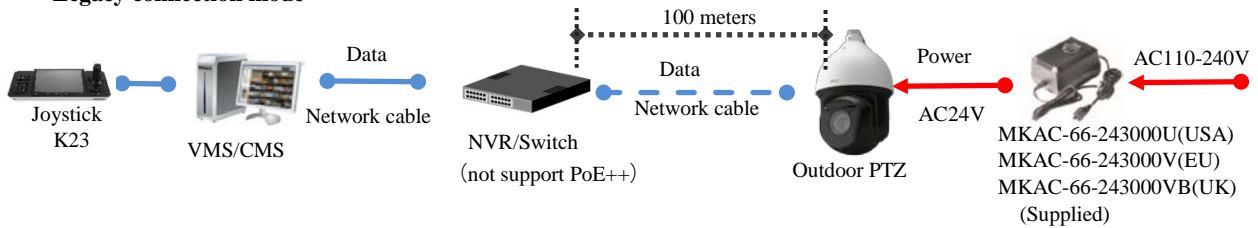
Camera	TD-8823IM (PE/37M/AR30)	2MP 37X Ultra starlight IR Network PTZ camera, no wiper, support smart racking, AC24V/DC24V/PoE++, IP67, -40°C~65°C, including wall mount bracket and power adaptor.
	TD-8823IM (PE/WP/37M/AR30)	2MP 37X Ultra starlight IR Network PTZ camera, with wiper, support smart tracking, AC24V/DC24V/PoE++, IP67, -40°C~65°C, including wall mount bracket& power adaptor.

**Mounting Brackets Options:**

TD-YZJ0306 Wall mount	TD-YZJ0305+YZJ0501 Pole Mount	TD-YZJ0305+YZJ0601 Corner Mount	TD-YZJ0807 Pendant mount

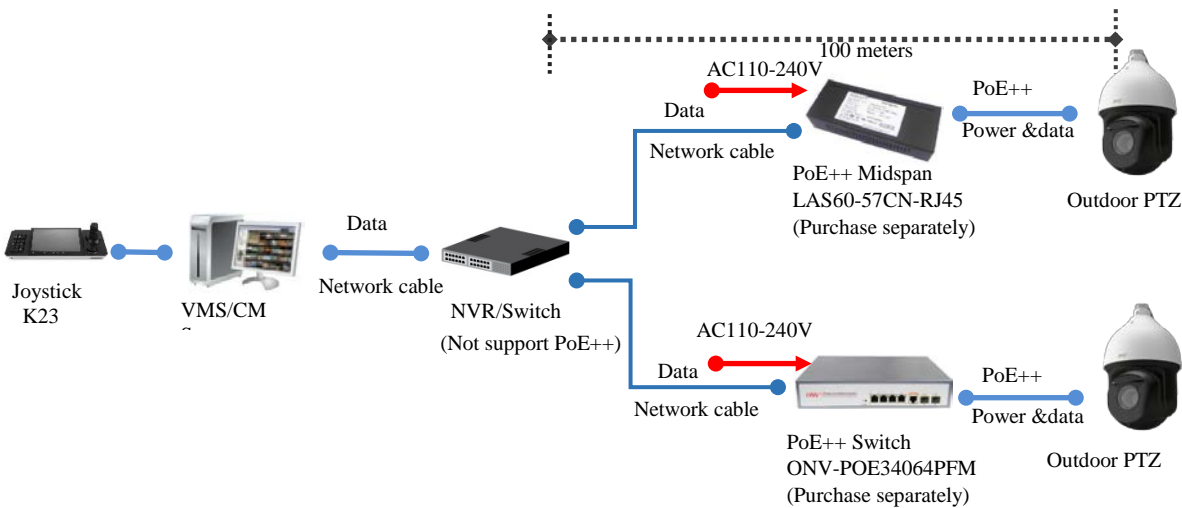
## Connection Options:

### Legacy connection mode



### PoE++ Mode

TVT has only PoE+ class NVR(802.3.at), it need 3<sup>rd</sup> party PoE++ Midspan or Switch for PoE++ mode



\*All accessories listed here have been tested for compatibility, other vendors are not guaranteed.

\* All pictures and texts are for reference only. Actual product may vary due to product enhancement.

## Shenzhen TVT Digital TECHNOLOGY CO.,LTD

Address: 23rd Floor, Block B4, Building No.9,Shenzhen Bay, Eco-Technology Park, Nanshan District, Shenzhen, Guangdong Province, P.R.China

Tel: +86-755-36995888

Web site: <http://en.tvt.net.cn>

Fax: +86-755-33104777

E-mail: [overseas@tvt.net.cn](mailto:overseas@tvt.net.cn)